

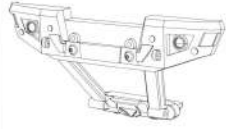
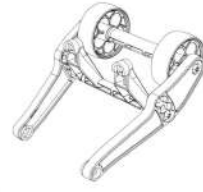

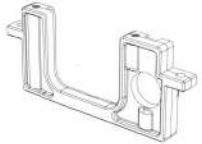

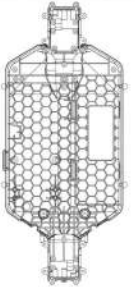

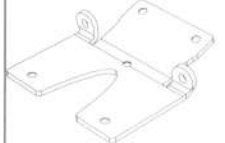
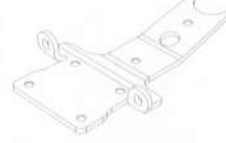
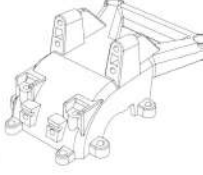
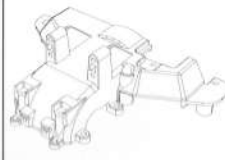




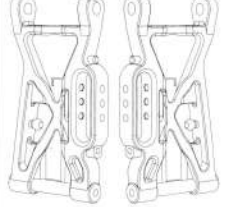
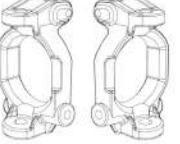
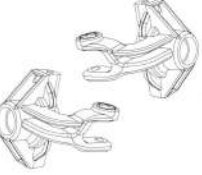
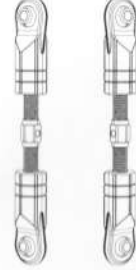
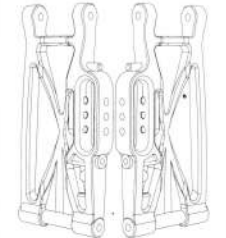
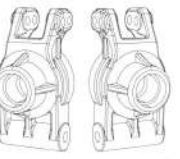
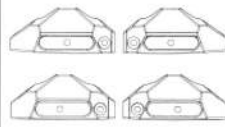


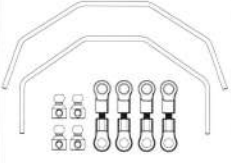
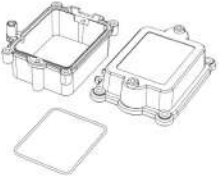

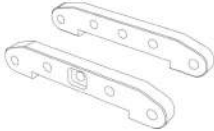
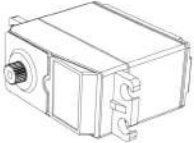
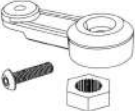



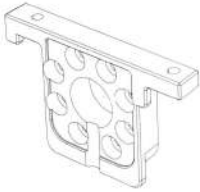
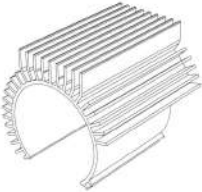
Spare Parts 配件表

			
1030A	10100	10110	10120
Body 车壳组件	Front Bumper Assembly 前防撞组件	Rear Bumper 后防撞	Wheelie Bar Assembly 抬头轮
			
10130	10131	10150	10300
Chassis Parts 底盘配件	Motor Shelf 电机安装座	Servo Mount 舵机支架	Chassis 底盘
			
10310	1031F	1031R	10160
Center Brace Bar 中支撑杆	Front Stiffener 前加强件	Rear Stiffener 后加强件	Front Upper Gearbox Covers 前齿轮盖



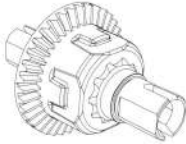
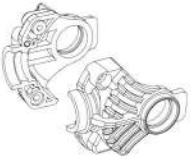



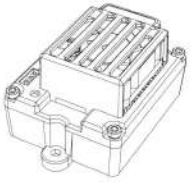
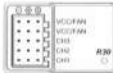

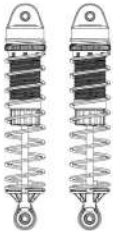
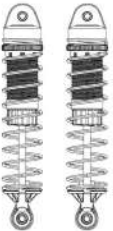
Spare Parts 配件表

			
10190	10191	10270	10280
Rear Upper Gearbox Covers 后齿轮盖	Vise Jaw 波箱盖	Front Shock Tower 前避震架	Rear Shock Tower 后避震架
			
10200	10220	10230A	10230B
Rod 拉杆	Front Lower Suspension Arms 前下摆臂	Steering Block 转向座	Steering Block 转向座
			
10240	10250	10260	10501
Rod 拉杆	Rear Lower Suspension Arms 后下摆臂	Rear Hubs 后固定座	Shock Safeguard 避震保护


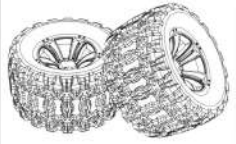


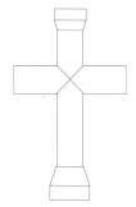

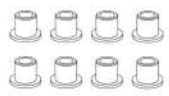

Spare Parts 配件表

			
10121	10320	Z3060	M10400
Front/Rear Sway Bar 前/后防倾杆	Receiver Box 接收盒	F/R Lower Swing Arm Fixed Shaft 下摆臂固定轴	F/R Reinforced Sheet 前后加强件
			
S3580R	10702	10430	10432
Servo 舵机	Servo Swingarm 舵机摆臂	Steering Assembly 转向传动组件	Connecting Rod 转向连杆
			
B3970A	10392	10393	10395
Brushless Motor 无刷电机	Motor Pinions 电机输出齿	Motor Guard 电机固定座	Motor Heatsink 散热片

Spare Parts 配件表

			
10397	10420C	10420	10192
ESC Fan 电调风扇	Center Differential 中央差速器	Front/Rear Differential 前/后差速器	Gearbox Housings 差速器外壳
			
10402	10402R	10403	E100A
Front Drive Teeth 前伞齿	Rear Drive Teeth 后伞齿	Centre Drive Shaft 主轴	Brushless ESC 无刷电子调速器
			
R30	T3B	10510	10500
Receiver 接收器	Transmitter 遥控器	Oil Filled Shock (Front) 油压避震(前)	Oil Filled Shock (Rear) 油压避震(后)

Spare Parts 配件表

			
10410	10440	1015A	M40
Metal F/R CVD Shafts (2 Sets) 轮胎转动组件	Wheel Hex 六角套	Wheel Assembly 车轮组件 (2PCS)	M4 Wheel Lock Nut M4螺母 (8PCS)
			
BD2217	P812	T70367	T65348
Battery Base 电池固定带 (2PCS)	Hexagonal Wrench 六角扳手	Bushing 轴套 (8PCS)	Bushing 轴套 (8PCS)
			
PH02			
Screwdriver Sets 螺丝刀套装			

Screws 螺丝

M3030	∅3x3mm	12PCS
M3080	∅3x8mm	12PCS
HTM3010	∅3x10mm	12PCS
HTM3012	∅3x12mm	12PCS
HTM3014	∅3x14mm	12PCS
HTM3016	∅3x16mm	12PCS
HTM3060	∅3x6mm	12PCS
HKM3012	∅3x12mm	12PCS
HTHM30135	∅3x13.5mm	12PCS
HKM3080	∅3x8mm	12PCS
HTM3020	∅3x20mm	12PCS
HTHM3049	∅3x49mm	12PCS
HTHM3040	∅3x40mm	12PCS
HWM4030	∅4x3mm	12PCS
HHM4080	∅4x8mm	12PCS

Others 其他

BRG10154	Bearing 轴承	8PCS
R168Z	Bearing 轴承	8PCS
M30	∅3mm Nut 螺母	8PCS
M40	∅4mm Nut 螺母	8PCS